

3PAMSH36-MZO4

SUBMITTAL DATA SHEET

36,000 BTU Multi-Zone Mini-Split Outdoor Unit (4 Zone)

Location: _____
 Engineer: _____
 Submitted to: _____
 Submitted by: _____
 Reference: _____
 Approval: _____
 Date: _____
 Construction: _____
 Unit #: _____
 Drawing #: _____



OUTDOOR UNIT DATA

Power supply		
Normal Operational Voltage	(V, Ph, Hz)	208/230, 1, 60
Voltage Range	(V)	187-253
Electrical		
Minimum circuit ampacity	(A)	25.0
Max.fuse	(A)	40.0
Cooling Capacity		
SEER / EER		23.0 / 11.5
Heating Capacity 47F		
COP		3.0
HSPF4/HSPF5		11.5 / 9.5
Heating at 5F		
		23959

REFRIGERANT PIPE DATA

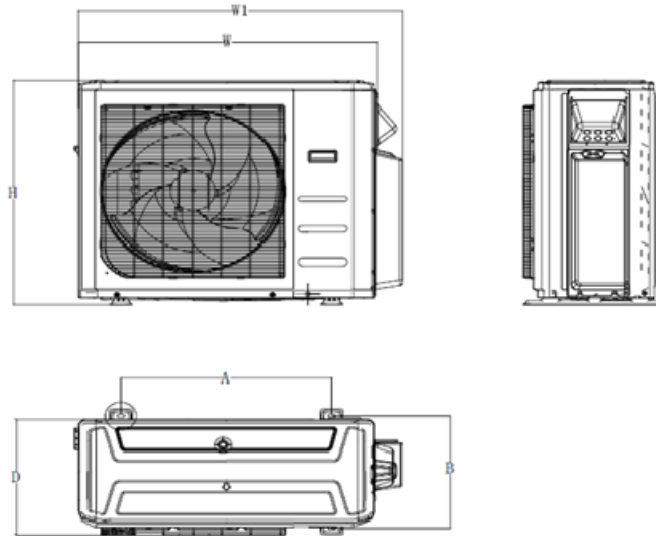
Design pressure	(PSIG)	550/340
Refrigerant Type	(Oz)	R410A/134.04
Refrigerant precharge	(ft)	98
	(m)	30.0
Additional charge for each ft- φ6.35 (1/4") liquid pipe	(oz/ft)	0.161
Additional charge for each ft- φ9.52 (3/8") liquid pipe	(oz/ft)	0.322
Liquid side/ Gas side	(inch)	4 x 1/4"/3 x 3/8" + 1 x 1/2"
	(mm)	φ6.35/3 x φ9.52 + 1 x φ12.7
Max. length for all rooms	(ft)	262
Max. length for one indoor un	(ft)	115
Max. height difference between indoor and outdoor unit	(ft)	49
Max. height difference between indoor units	(ft)	33

OUTDOOR UNIT DATA

Outdoor fan motor		
Model		ZKFN-120-8-2
Qty		1
Input	(W)	150.0
RLA	(A)	-
Speed	(r/min)	1000/900/750
Compressor		
Model		KTF310D43UMT
Type		ROTARY
Brand		GMCC
Capacity	(Btu/h)	32380
Input	(W)	2600
Rated current (RLA)	(A)	N/A
Refrigerant oil/oil charge	(ml)	VG74/1000
Throttle		Capillary +EXV
Air flow & Noise level		
Outdoor air flow (Max.)	(CFM)	2147.06
Outdoor noise level	[dB(A)]	63
Outdoor unit		
Dimension (W×D×H)	(inch)	37.24x16.14x31.89
	(mm)	946x410x810
Packing (W×D×H)	(inch)	42.91x19.69x34.84
	(mm)	1090x500x885
Net/ Gross weight	(lbs.)	169.09/181.44
	(kg)	76.7/82.3
Outdoor (cooling/heating)	(Deg. °F) (Deg. °C)	-13~122/ -13~86 -25~50/ -25~30

3PAMSH36-MZO4

36,000 BTU Multi-Zone Mini-Split Outdoor Unit (4 Zone)



Unit	W	D	H	W1	A	B
inch	37.2	16.5	31.9	40.6	26.5	15.9
mm	946	410	810	1034	673	403

24V INTERFACE KIT

